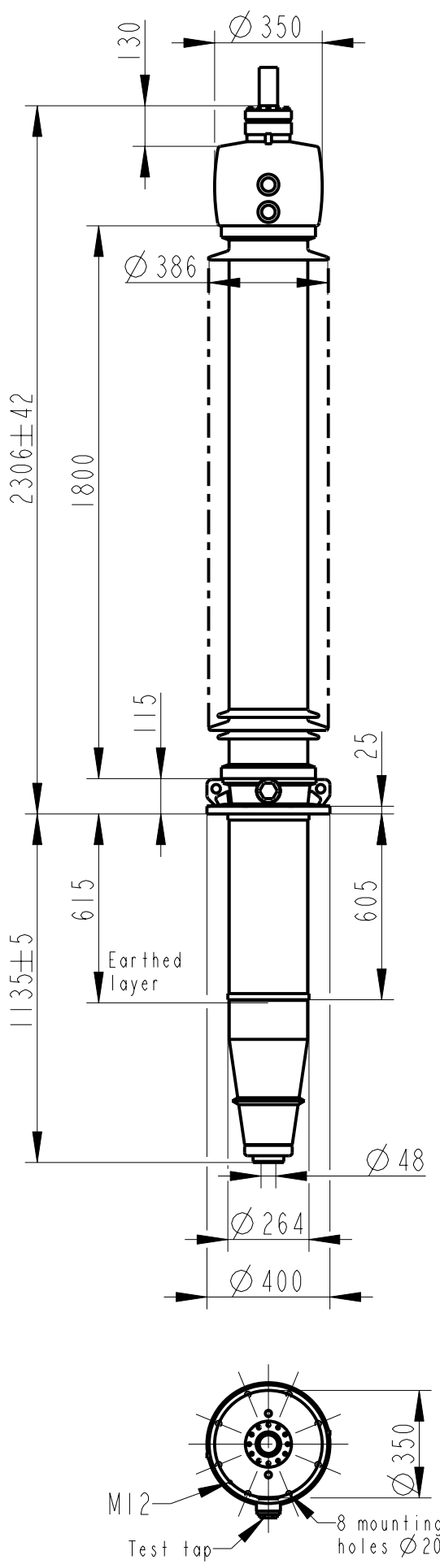


Rev	Ind	Revision	Appd	Date



### Bushing Data:

Rated Voltage	245	kV
Phase to-earth Voltage	170	kV
Dry Lightning Impulse 1,2/50µs	950	kV
Wet Switching Impulse	650	kV
Wet Power frequency AC	395	kV
Routine test Imin dry 50Hz	395	kV
Rated Current	3150	A
Creepage Distance	5735	mm
Mass	405	kg

### Ordering Data:

**BUSHING** COLOUR AIR INSULATOR  
 LF121055 -A / -AA BROWN / LIGHT GREY

OUTER TERMINAL		H2	D2
		(mm)	(mm)
LF170 073-A	Al	125	60
LF170 073-B	Cu	125	60
LF170 073-G	Cu/Ag	125	60
OTHER TYPES ON REQUEST			

**END-SHIELD**  
 LF170 046-U EPOXY INSULATED  
 LF170 046-UP INSULATED WITH 3 mm PRESSBOARD

**DRAW ROD SYSTEM**  
 LF170 059 LOWER DRAW ROD WITH NI=4 OR NI=6  
 LF170 057 UPPER DRAW ROD

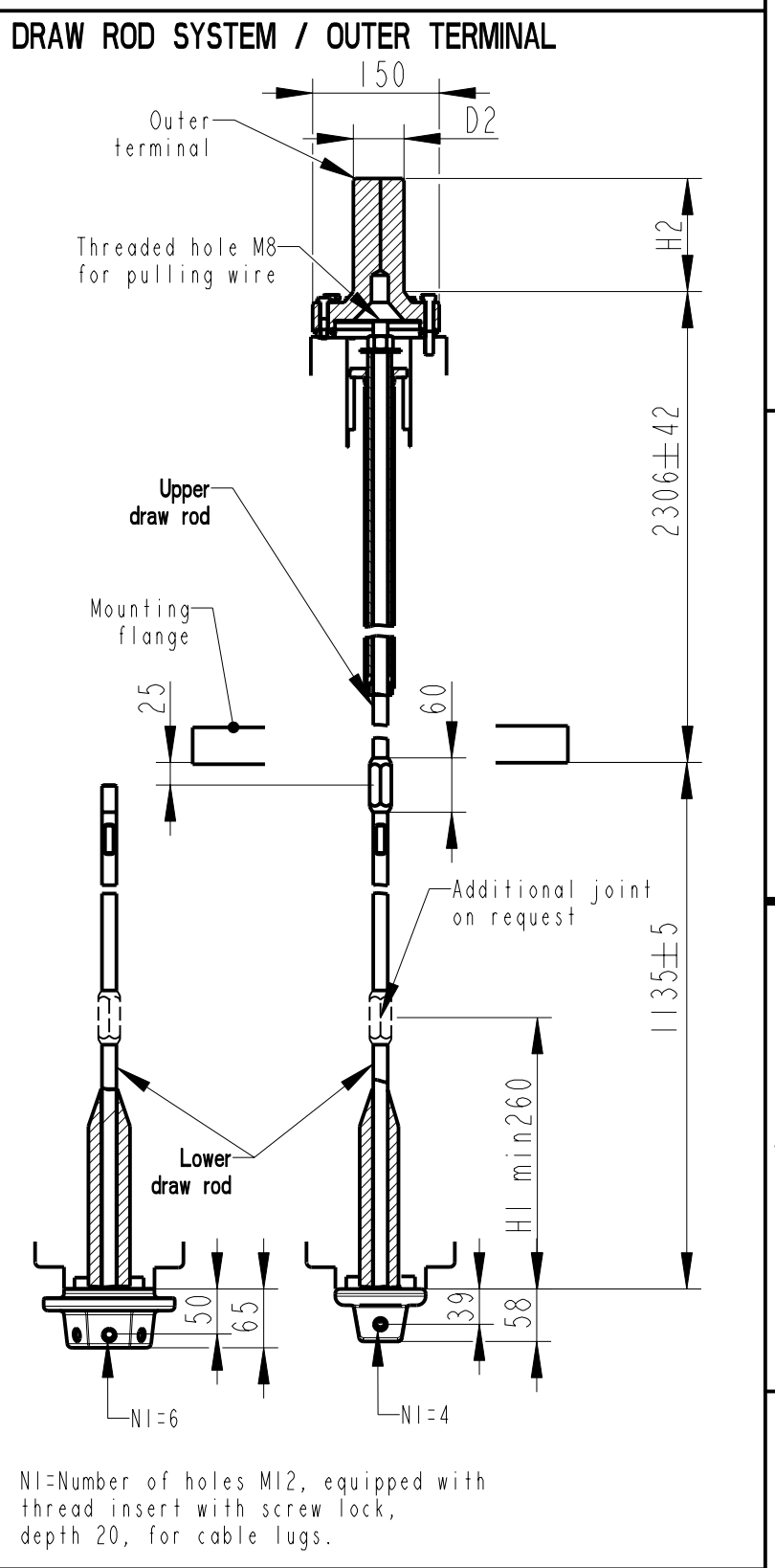
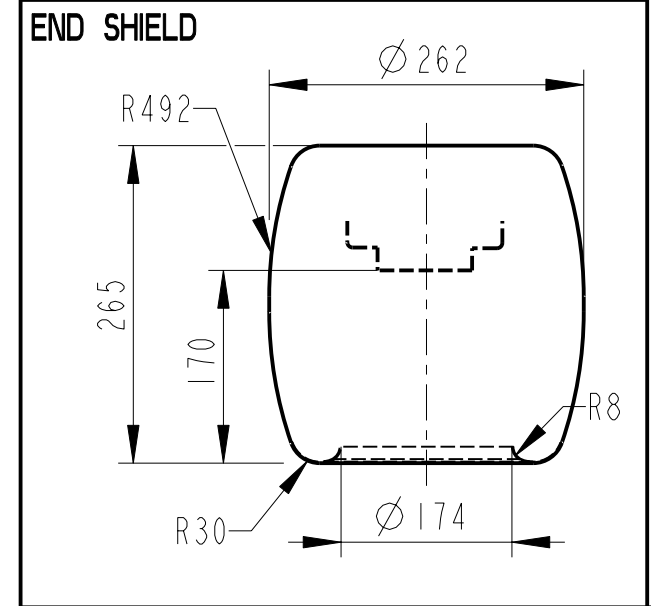
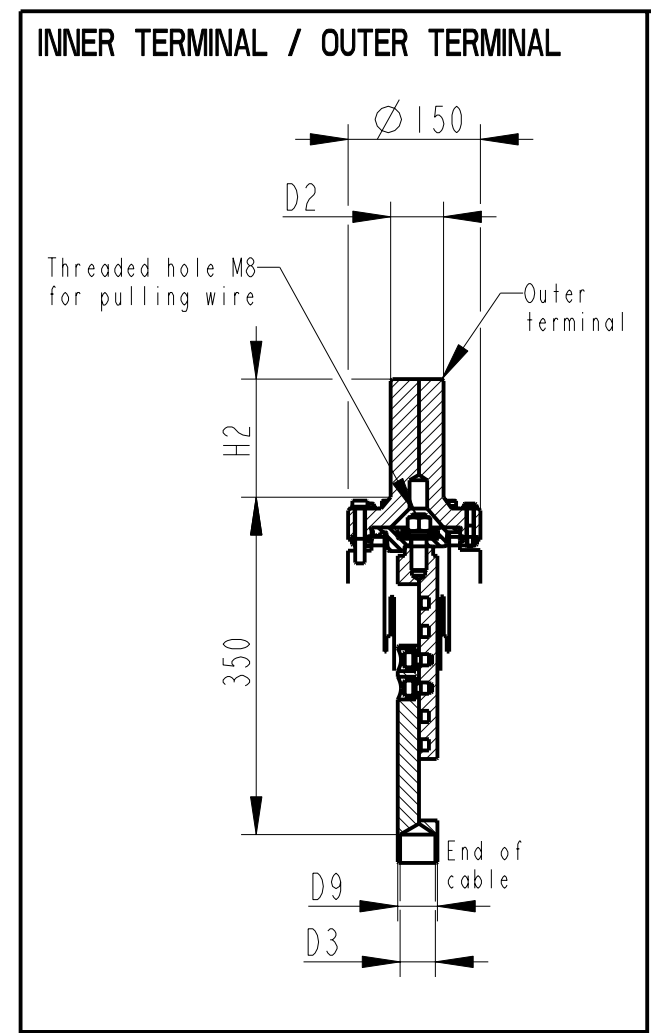
**INNER TERMINAL**

D3	D9	Cond.area	Current (A)
(mm)	(mm)	(mm <sup>2</sup> )	IEC IEEE
LF170 056-E	0 *)	45	-
LF170 056-D	40	600	1600 1360

\*) WITH PILOT HOLE D=5

**ABB Components** Luleå, Sweden

Ur-ty	Nb.	50-60 Hz
U	kV r	kV AC
M	kg L	mm D
C1	pF Tanδ	z
C2	pF Tanδ	z



NI=Number of holes M12, equipped with thread insert with screw lock, depth 20, for cable lugs.

Based on	Reg. No.	Title	Language
Prepared Lövnord	Responsible department COM/BK 0022	GOE-900-650-3150-0.6	
Approved Johansson	Take over department		Page
Design engineering review Gutman	Database	Document No.	1(1)
<b>ABB</b> ABB Components		2751369-18	

We reserve all rights in this document and in the information contained therein. Reproduction, use or disclosure to third parties without express authority is strictly forbidden. ©ABB